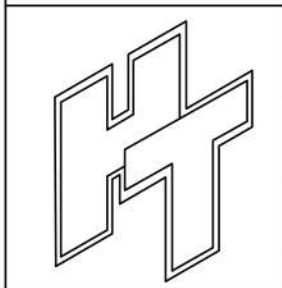
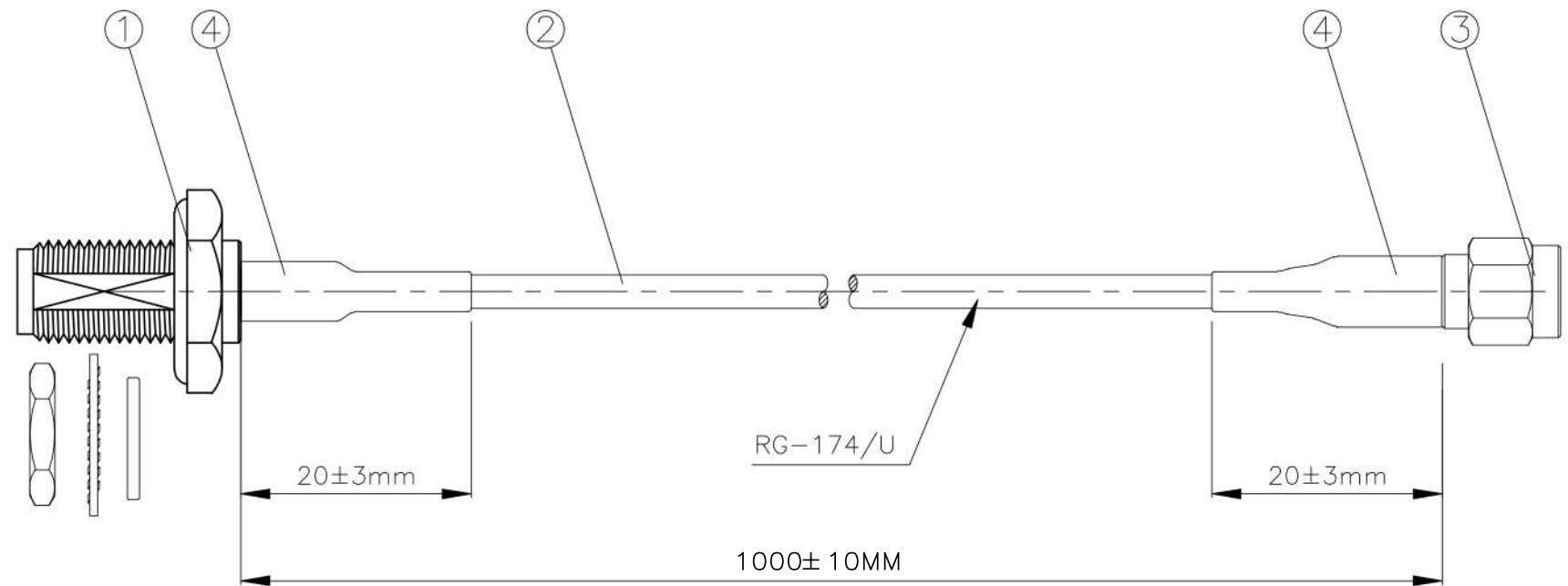


NO	DESCRIPTION	Q'TY	FINISH	PART NUMBER	REMARK
1	CONNECTOR	1	GOLD	SMA-05LV1-TGG	
2	CABLE	10		RG-174/U	
3	CONNECTOR	1	GOLD	SMA-03LV1-TGG	
4	SHRINKING TUBE	2	BLACK	RU-0037	
5	ASSEMBCY	1		L-016341038	



HUS-TSAN GROUP CO., LTD.
P.O. BOX 40-76. TAINAN. TAIWAN, R.O.C.
TITLE SMA JACK - SMA PLUG
RG-174/U
PART NO. 016341038
DRAWING NO. 016341038

DRAWN 徐睿謙 **DATE** 109.06.30
CHECKED 蘇志欣 **DATE**
Q.A. 莊千慧 **DATE**
APPROVAL 徐燦霖 **DATE**
REVISION **DATE**

DIMENSIONS ARE IN MILLIMETERS
UNLESS OTHERWISE SPECIFIED TOLERANCE
0.5-5 = ±0.2 120-315 = ±1
5-30 = ±0.4 315-1000 = ±1.6
30-120 = ±0.6 1000-2000 = ±2.4
SCALE 4:1 **SIZE A**

REVISION	
DESCRIPTION	ENGINEER